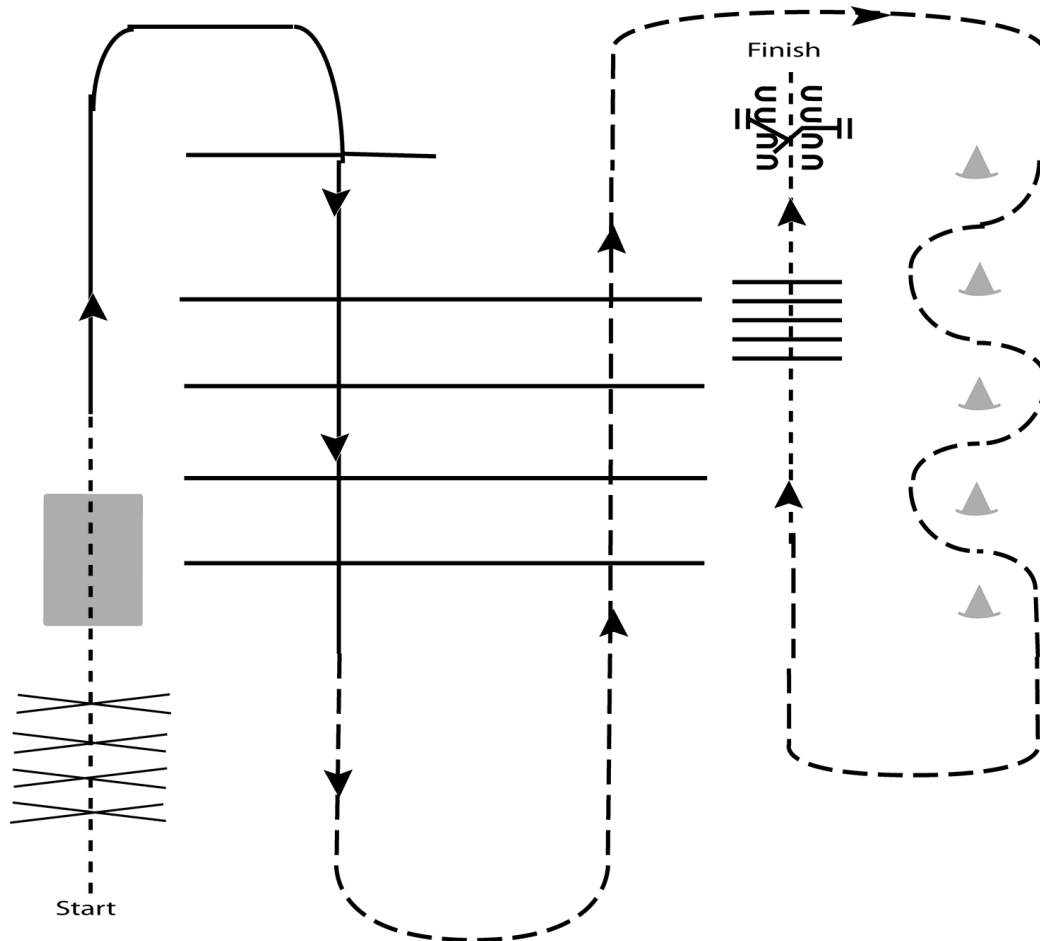


Midland Fair Open Horse Classes

Open Trail Horses & Ponies (9-19 yrs and 20 & over)

Show Date: August 2023



Be ready at start

1. Walk over poles.
2. Walk over bridge.
3. Lope on the right lead through poles.
4. Jog over poles.
5. Jog through serpentine.
6. Walk over poles.
7. Work gate with left hand.

Walk	-----
Jog	- - - - -
Extended Jog	- - - - -
Lope	—————
Leg Yield	
Lead Change	↘
Back	← ○○○○ ○○○○
Marker	Ⓚ
Sidepass	←-----→

[T/1-5]

Pattern Provided by:

Midland Fair

www.HorseShowPatterns.com

www.HorseShowPatterns.com